

Analog Series 4000 Short Case Temperature Controllers

Distributed By: **B. J. Wolfe Enterprises, Inc**

Tel: (800) 554-1224, Fax: (818) 889-8417, email: info@bjwe.com

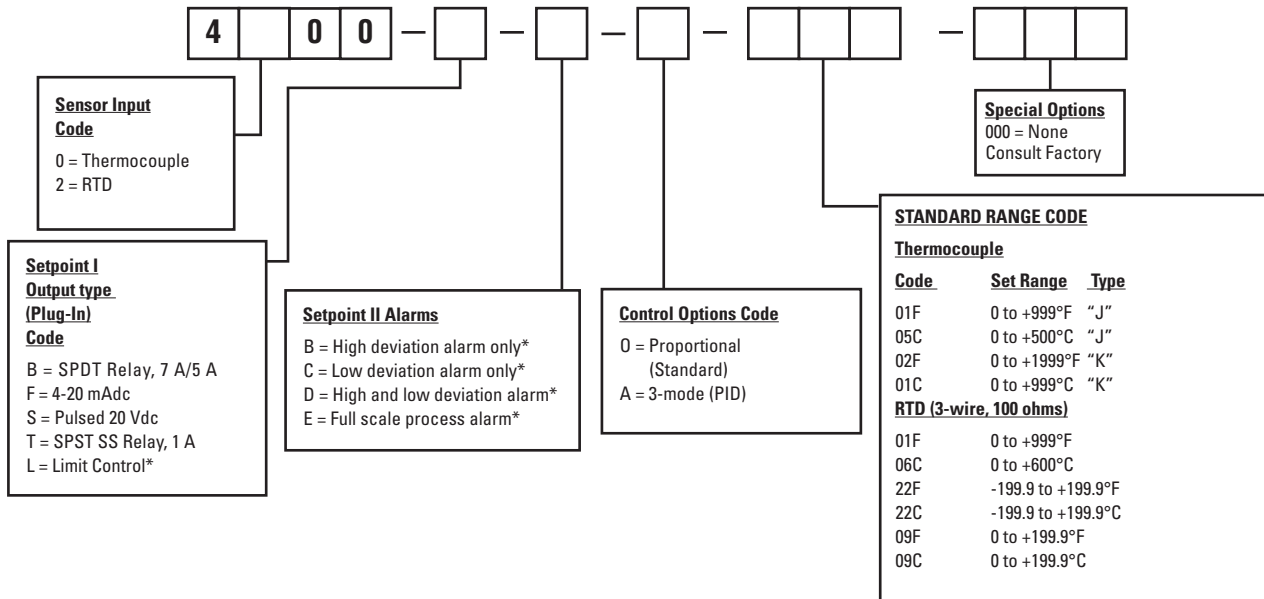


The Athena 4000 is a 1/4 DIN panel mounted, short metal case enclosed controller that can be used for accurate proportional temperature control of most processes. The controller accepts thermocouple or RTD input, and offers a choice of standard single outputs for energizing most common output devices. A single, digital filtered LED display provides visual indication of various controller functions.

- ▲ Noise-Immune Analog Circuitry
- ▲ 25-turn Setpoint Pots-Optional Second (Alarm) Setpoint
- ▲ Adjustable Bandwidth and Manual Reset to Eliminate Offset Error
- ▲ 3-Mode PID Available
- ▲ Available as FM-Approved Limit Controller



Ordering Information



Example
Model 4000-B-E-05C = a controller with a thermocouple sensor input; and SPDT relay output (non plug-in) for setpoint I; a full scale process alarm for setpoint II; and a thermocouple J input range of 0 to 500°C.

Athena's ZC/PC solid state contactors, Series 19 and 39 SCR power controllers, can be added to boost ac load switching capacity.

*Not available on 4200

Analog Series 4000 Short Case Temperature Controllers

Distributed By: **B. J. Wolfe Enterprises, Inc**

Tel: (800) 554-1224, Fax: (818) 889-8417, email: info@bjwe.com

Technical Specifications

Line Voltage	120/240 V $\pm 10\%$, 50/60 Hz $\pm 15\%$	Setpoint Resolution	1 or 0.1 (Range dependent)
Power Consumption	Less than 5 VA	Calibration Accuracy	a. T/C input $\pm 0.4\%$ of span over 10% to 90% of range b. RTD inputs $\pm 0.1\%$ of span for 1°F or 1°C ranges; $\pm 0.2\%$ of span for 0.1°F or 0.1°C ranges
Common Mode Rejection*	Maximum error $\pm 1^\circ\text{C}$ with 240 V, 60 Hz applied as a common mode signal between sensor input and chassis ground	Ambient Stability	a. T/C input 3 V/°F ambient to input b. RTD input 0.1% for 80°F to 130°F (27° to 55°C)
Series Mode Rejection*	Maximum error $\pm 1^\circ\text{C}$ with series mode signal of 100 mV pk-to-pk at 60 Hz	Process Indication	Filtered LED, 3 or 3-1/2 digits, 2 readings per second update; readability is 1°F, 1°C, 0.1°F or 0.1°C, range dependent
Sensor Break Protection	Up scale standard, zero output for open sensor	Dimensions	Front Panel - 3.780 sq. in. (96 mm ²) Case - 4.646" (118 mm) Depth Behind Panel - 3.780" (92 mm) Panel Cut-out - 3.622 sq. in. (92 mm ²)
Thermocouple	Maximum lead resistance 100Ω for rated accuracy, cold junction compensation standard		
RTD	100 ohms (0°C) Platinum, DIN coefficient standard		
Setpoints	Momentary switch displays Set I or Set II (optional), 25-turn pot provides 1 or 0.1 settability, range dependent; Set I-Adjustable over full span; Set II-process alarm (-E) adjustable over full span. Deviation alarm (-B,-C,-D), consult factory		
Setpoint Repeatability	$\pm 0.1\%$ to $\pm 0.2\%$ of span		*Note: Applies to all units with exception of "F" output controllers when used with other than Athena SCRs or stagers.

Output Type	Setpoint 1 (Plug-in)				Setpoint 2		
	B	F	S	T	L	B,C,D	E
	SPDT relay resistive load rating 7 A/120 V 5 A/240 V 50 VA inductive	4-20 mA dc into 1000 ohms maximum; not isolated from thermocouple	Pulsed dc for driving SS contactors 0-20 V, open ckt 0-20 mA, short ckt not isolated from thermocouple	SPST SS relay, zero voltage switched 1 A 120/240 Vac, 10 A inrush, 2-4 mA leakage	Limit Controller	SPDT relay 3 A @ 120 Vac resistive (4000 only)	SPDT relay 3 A @ 120 Vac resistive
Proportional Band	Adjustable for .2-5% of span				Not applicable	On/Off (see differential)	On/Off (see differential)
Output cycle time (Switch selectable)	On-off 5-10-15 sec	Continuous Proportioning	0.5-1.0-1.5 sec	0.5-1.0-1.5 5-10-15 sec	Not applicable	Not applicable	Not applicable
Manual reset (Offset)	Standard-adjustable for full proportional bandwidth (eliminated if PID is ordered)				Not applicable	Not applicable	Not applicable
Optional 3-mode (PID) action	Past = 0.1 sec rate, 48 sec reset; medum = 18 sec rate, 90 sec reset; Slow = 65 sec rate, 300 sec reset				Not applicable	Not applicable	Not applicable
Differential	0-5° adjustable				Not applicable	$\pm^\circ\text{F}$ or $\pm^\circ\text{C}$	1% maximum of unit span
Indication	Red LED "ON" when output signal is present or relay is energized						
Operating Ambient	30°F to 131°F (0°C to 55°C)						

Analog Series

