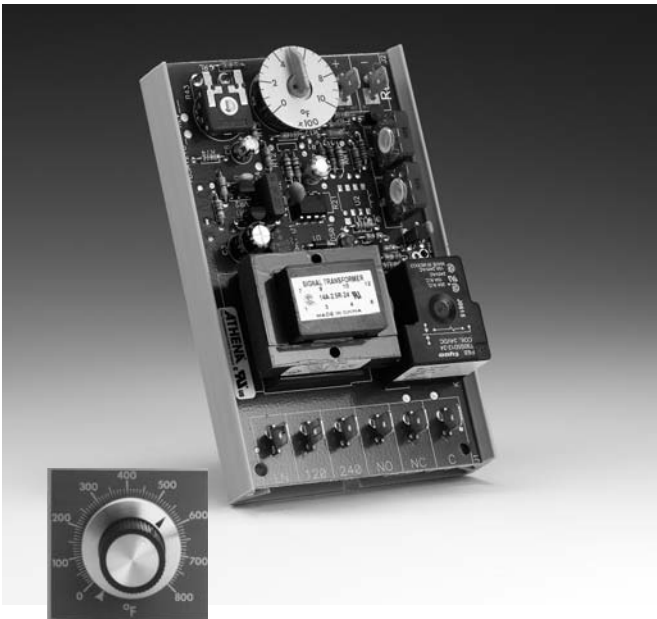


Analog Series 88 Electronic Temperature Controller

Distributed By: **B.J. Wolfe Enterprises, Inc**

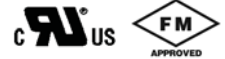
Tel: (800) 554-1224, Fax: (818) 889-8417, email: info@bjwe.com



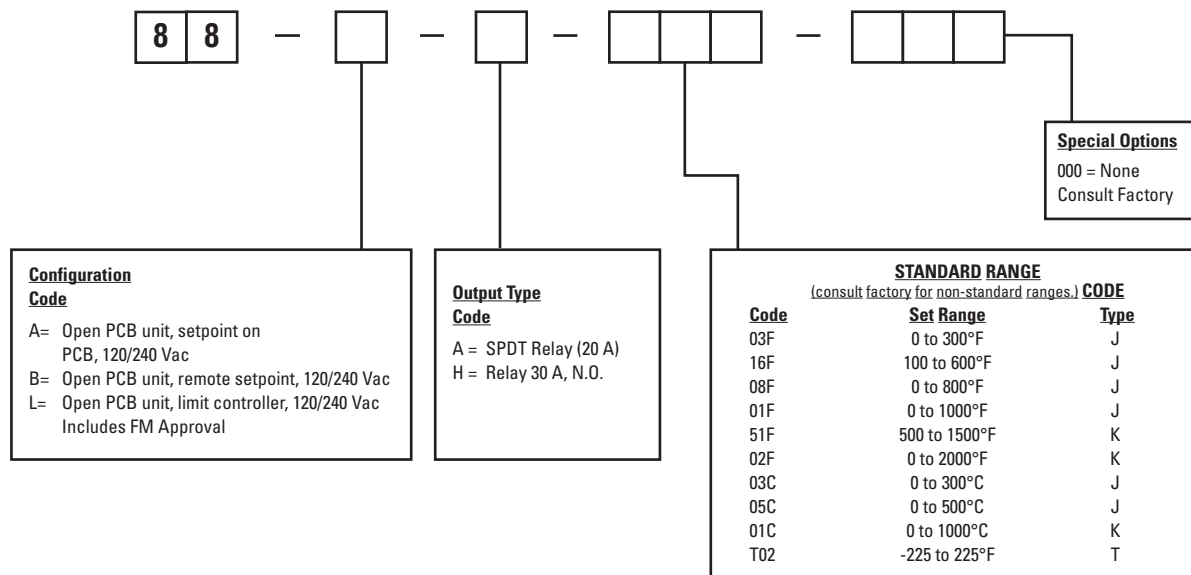
Remote Setpoint Potentiometer (optional)

The Athena Series 88 is a non-indicating, track mounted temperature controller that can be used as a superior replacement for bulb and capillary controllers. The controller accepts thermocouple input, and offers a 20 Amp relay output.

- ▲ On-Off or Time Proportioning
- ▲ Failsafe on Open Sensor
- ▲ No Calibration Necessary
- ▲ 1% Accuracy
- ▲ Thermocouple Input
- ▲ Track Mounted
- ▲ Cooling Processes
- ▲ Limit Controller Option



Ordering Information



Analog Series 88 Electronic Temperature Controllers

Distributed By: **B.J. Wolfe Enterprises, Inc**

Tel: (800) 554-1224, Fax: (818) 889-8417, email: info@bjwe.com

Technical Specifications

<p>Setpoint Single-turn, 270° rotation potentiometer (local or remote) is standard Remote digital thumbwheel available for RTD only</p> <p>Setpoint Resolution 1% with circuit board potentiometer, 1/4% with remote potentiometer</p> <p>Calibration Accuracy 1% at calibration points with remote potentiometer 2% at calibration points, potentiometer on circuit board</p> <p>Ambient Temperature 32°F to 130°F (0°C to 55°C)</p> <p>Humidity Tolerance 5 to 95%, non-condensing</p> <p>Cold Junction Compensation Internal electrical bridge</p>	<p>Hysteresis/Proportional Band Thermocouple adjustable from hysteresis of 5° to proportional band of 25° RTD deadband is 3° to proportional band of 10°</p> <p>Thermocouple Break Protection Output power off with open sensor</p> <p>Output Type B Relay S.P.D.T. 7 A/5 A @ 120/240 V Type H Relay S.P.D.T. 15 A/7 A @ 120/240 V (NON PLUG IN)</p> <p>Supply Voltage 120/240 Vac ±10%</p> <p>Input Thermocouple, sensor break protection</p> <p>Power Consumption 2 watts</p> <p>Connections Fast-on lugs</p>
---	--

